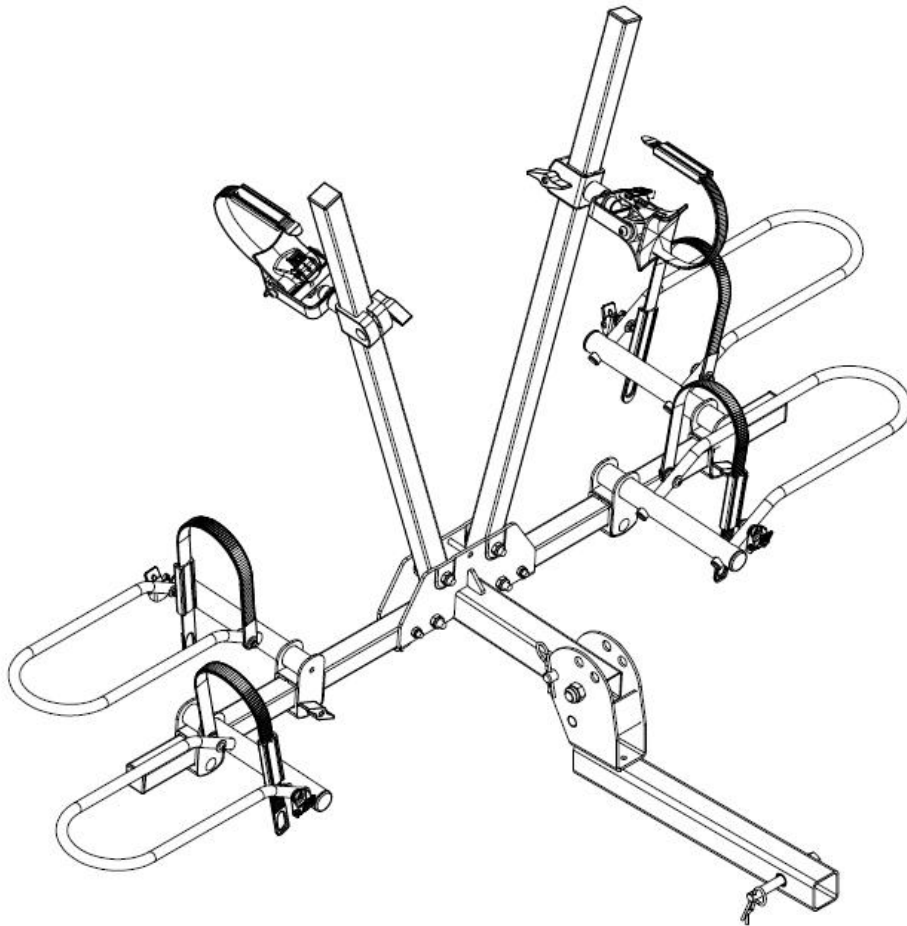




2in Hitch Mounted 2-Bike Rack w/Two Posts

ITEM:10104159

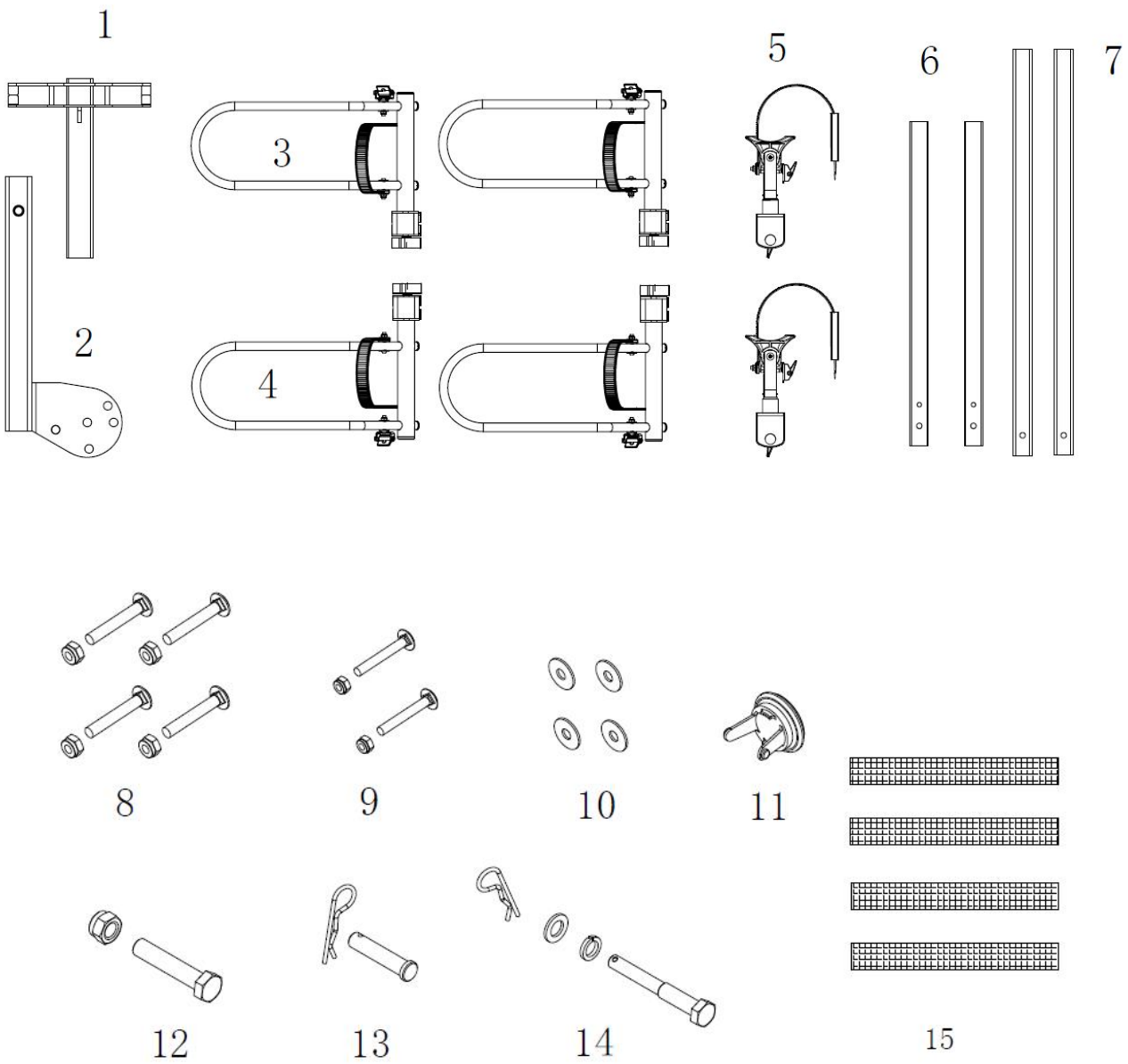


MANUAL

Technical Specifications

Property	Specification
Length	72.5"
Width	39"
Height	42"
Maximum Weight Capacity	200LBS

Parts List



Recommended Tools for Assembly (Not Included)



Monkey Wrench (1pc)
Size=300mm



Open Wrench (1pc)
Size=13mm



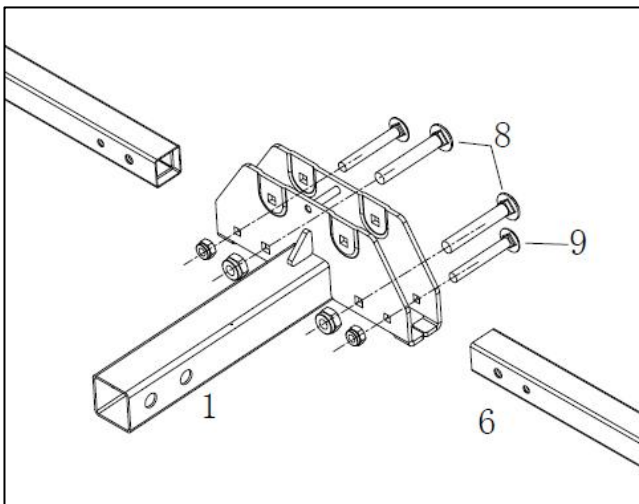
Open Wrench (1pc)
Size=17mm



Open Wrench (1pc)
Size=24mm

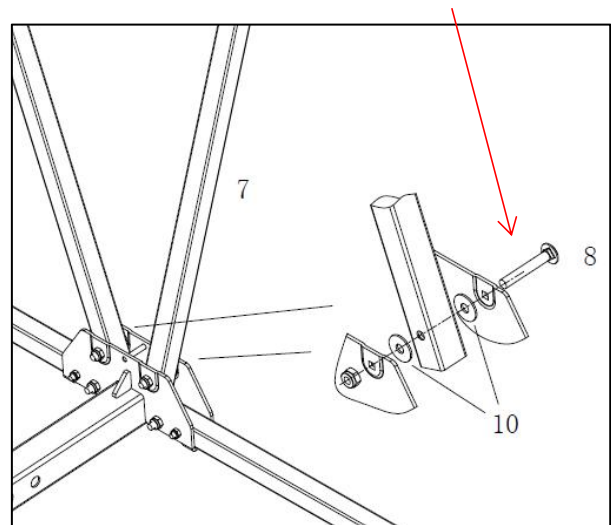
Assembly Instructions

Step 1:

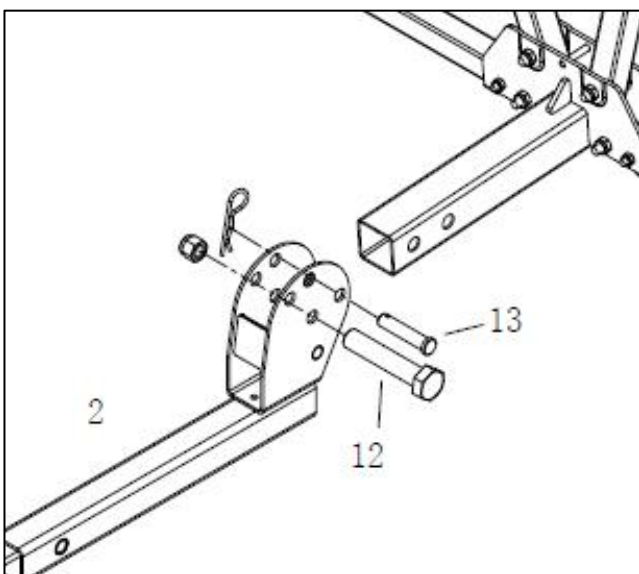


STEP2:

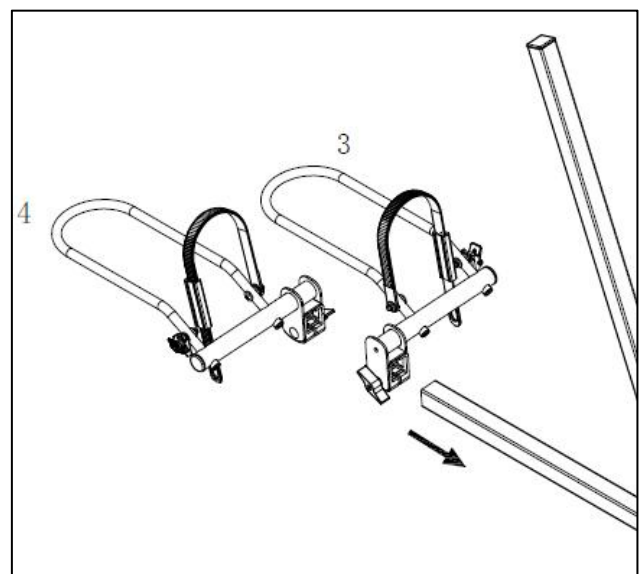
Bolt torque 50Nm, so that
the uprights do not swing
back and forth



Step 3:

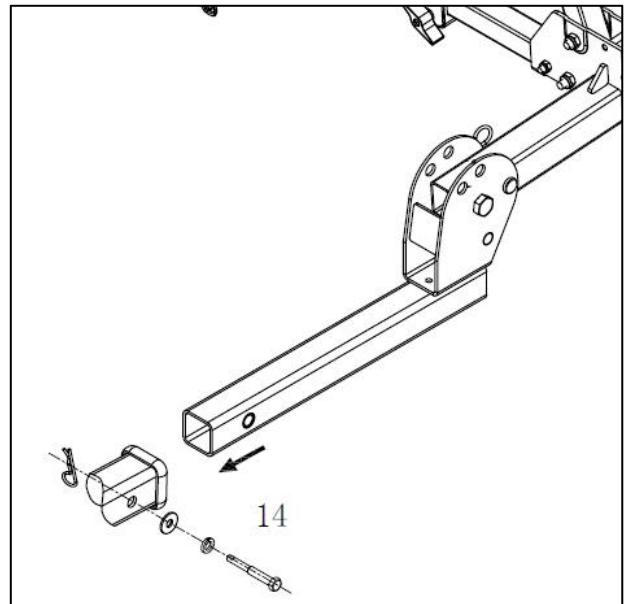
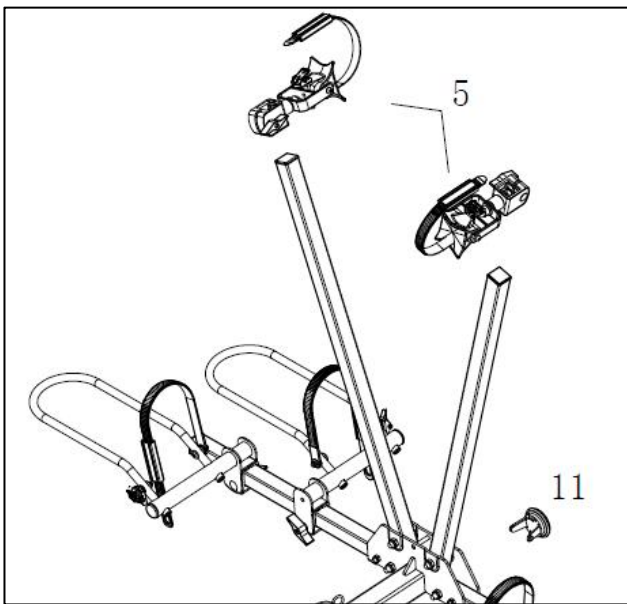


STEP4:



Step 5:

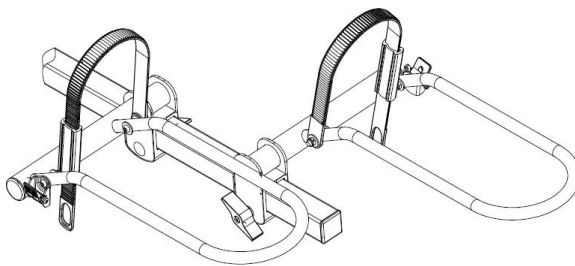
STEP6:



Mounting Instructions

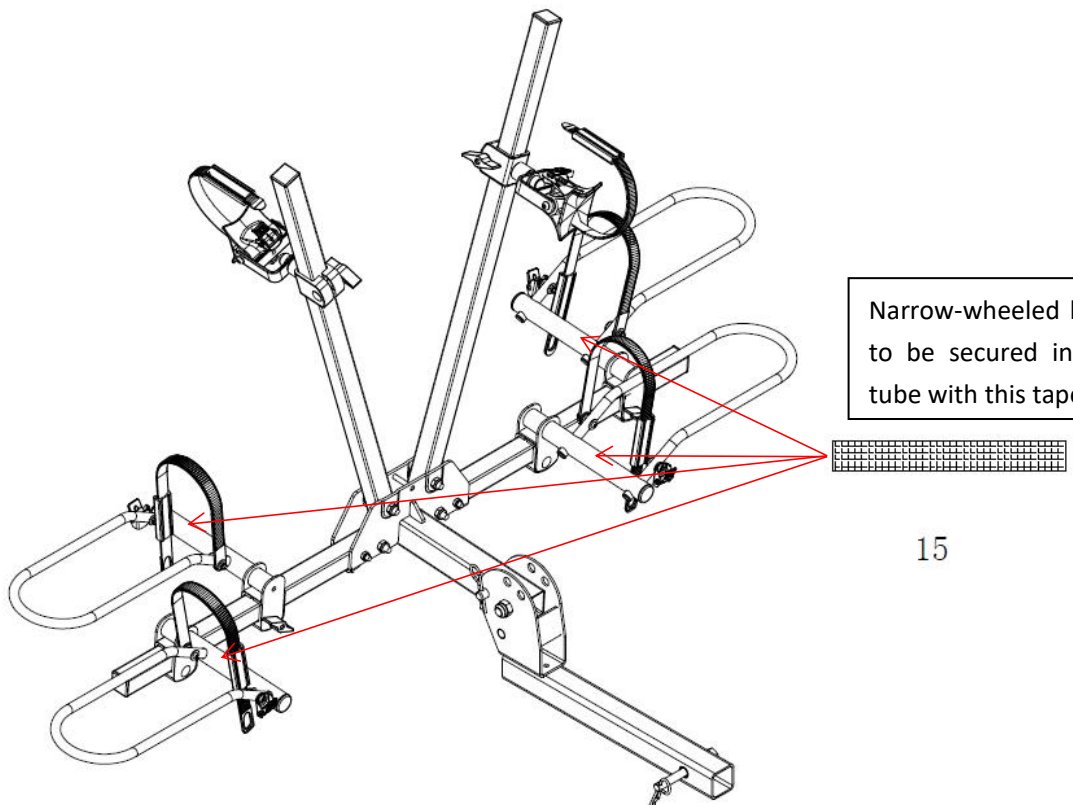
Please note the cradles and J-hooks are completely adjustable and can slide on the arms

Step 1



Adjust the distance according to the bicycle tires to center the bicycle.

Step 2



Narrow-wheeled bikes need to be secured in the thick tube with this tape.

15

Folding Status

Secure the sticky tape in the square tube for easy folding so the bike rack doesn't reopen.

