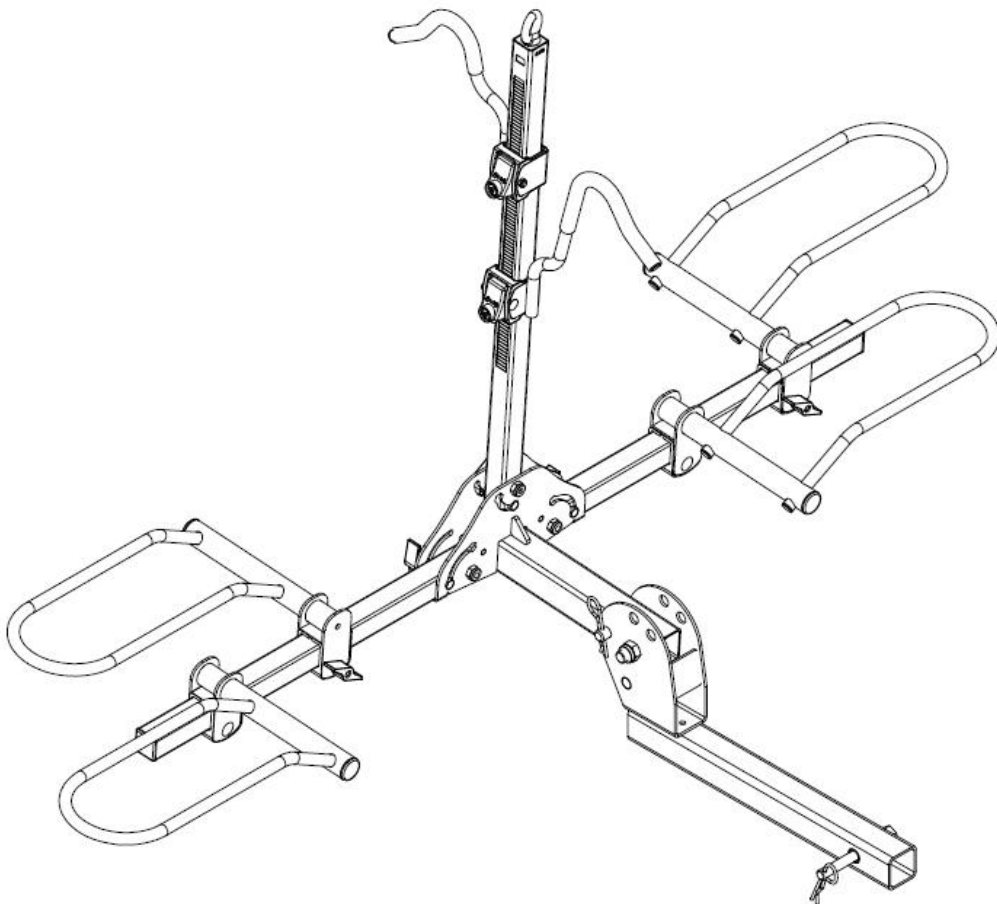




2in Hitch Mounted 2-Bike Rack w/Lock

ITEM:10104158

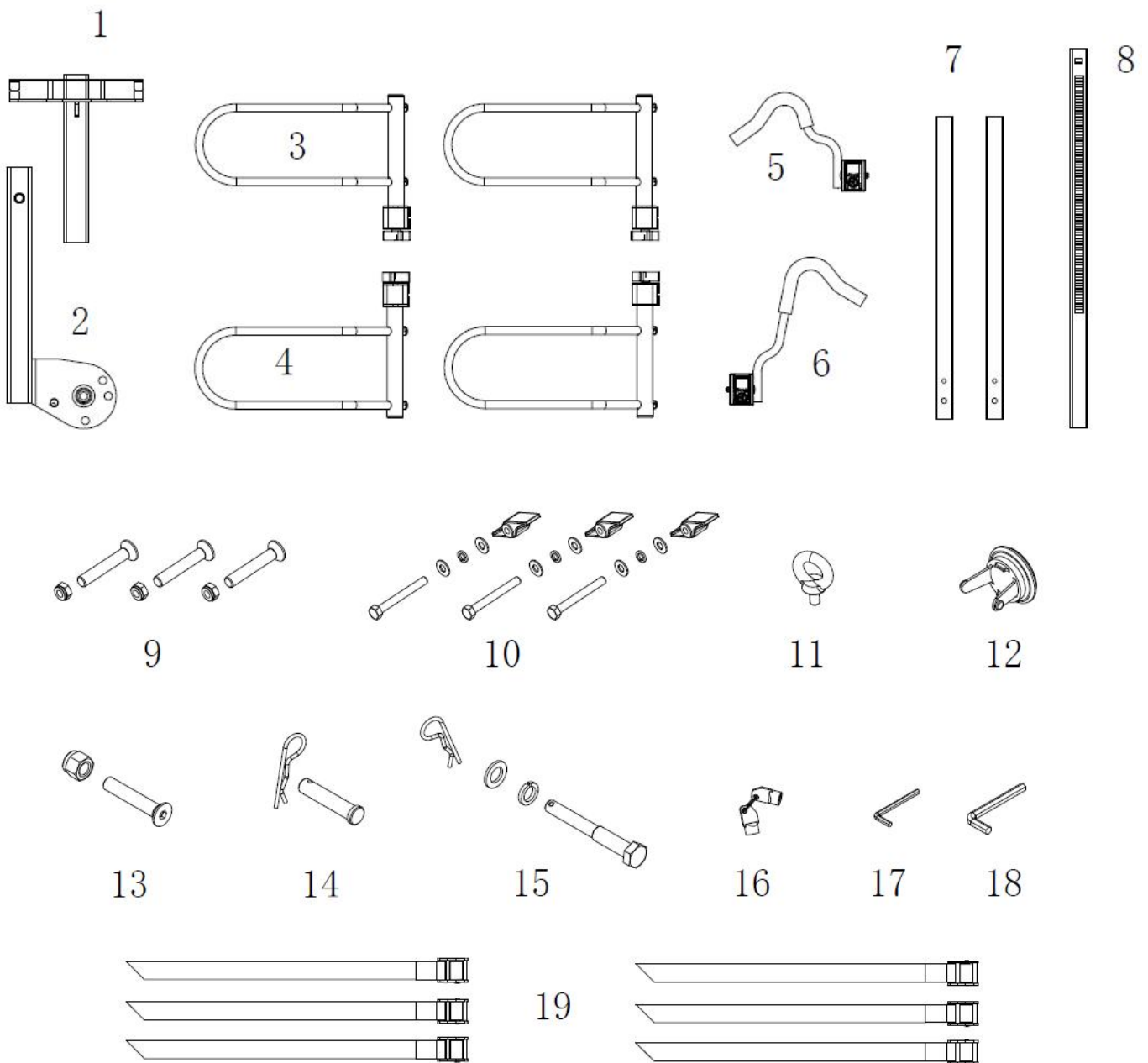


Manual

Technical Specifications

Property	Specification
Length	73"
Width	39"
Height	41"
Maximum Weight Capacity	200LBS

Parts List



Recommended Tools for Assembly (Not Included)



Monkey Wrench (1pc)
Size=300mm



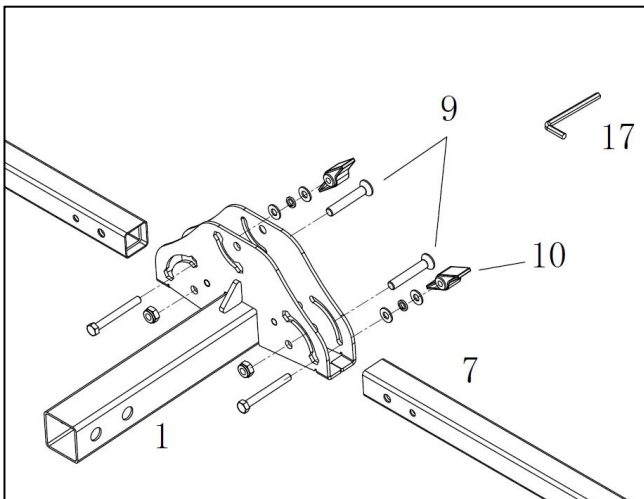
Open Wrench (1pc)
Size=17mm



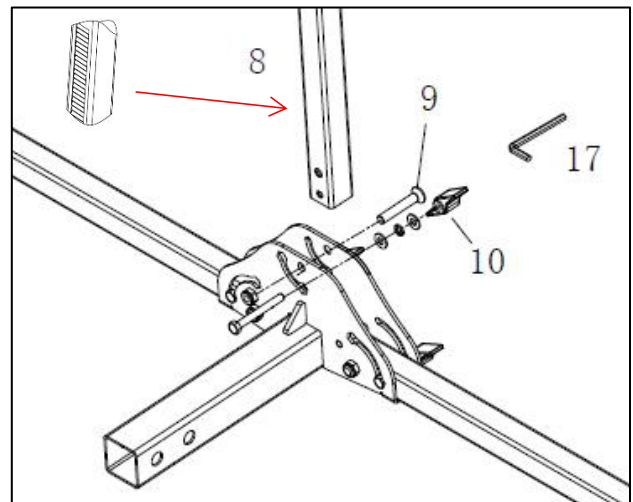
Open Wrench (1pc)
Size=24mm

Assembly Instructions

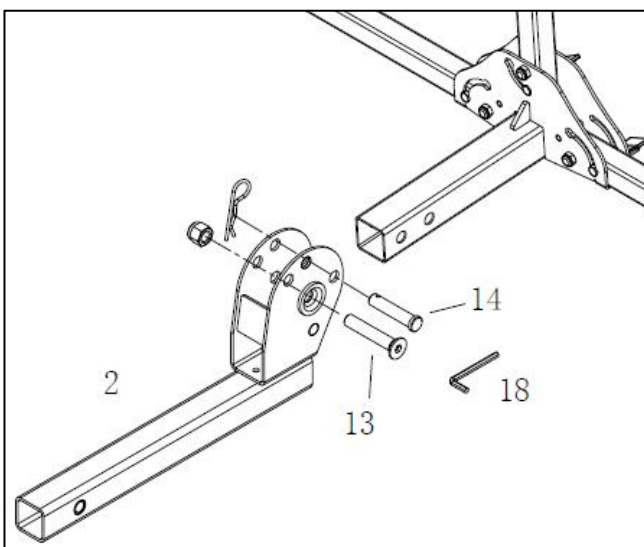
Step 1:



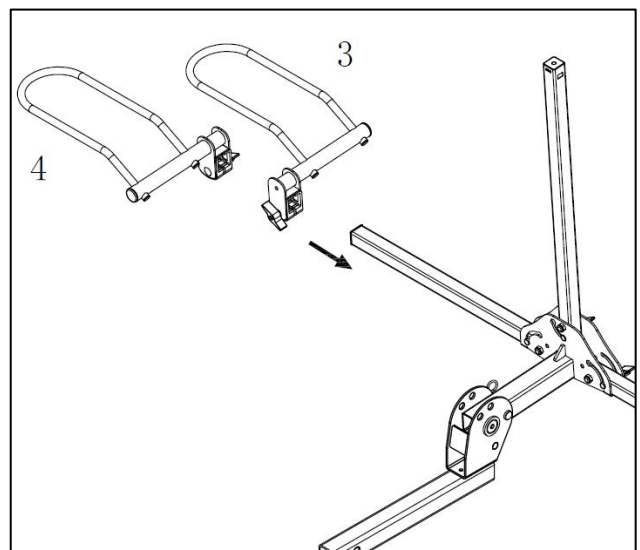
STEP2: serrated facing this side



Step 3:

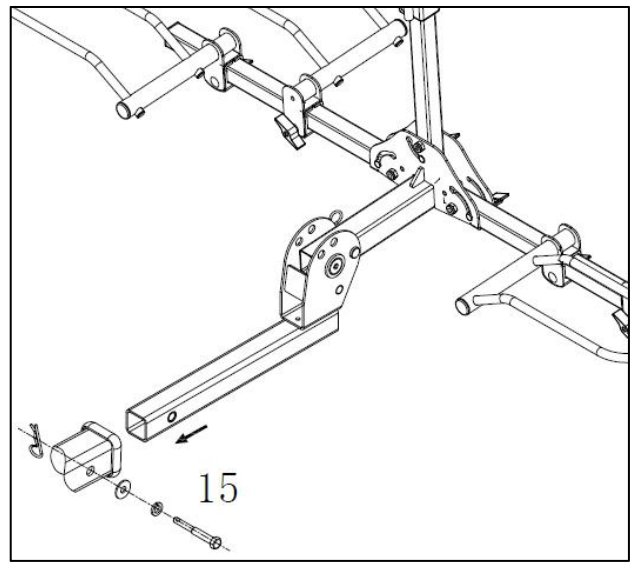
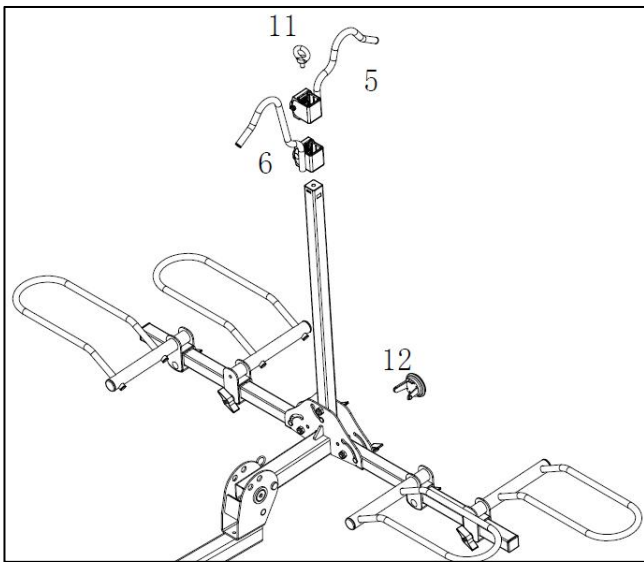


STEP4:



Step 5:

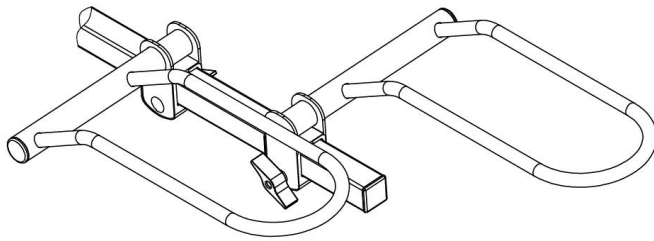
STEP6:



Mounting Instructions

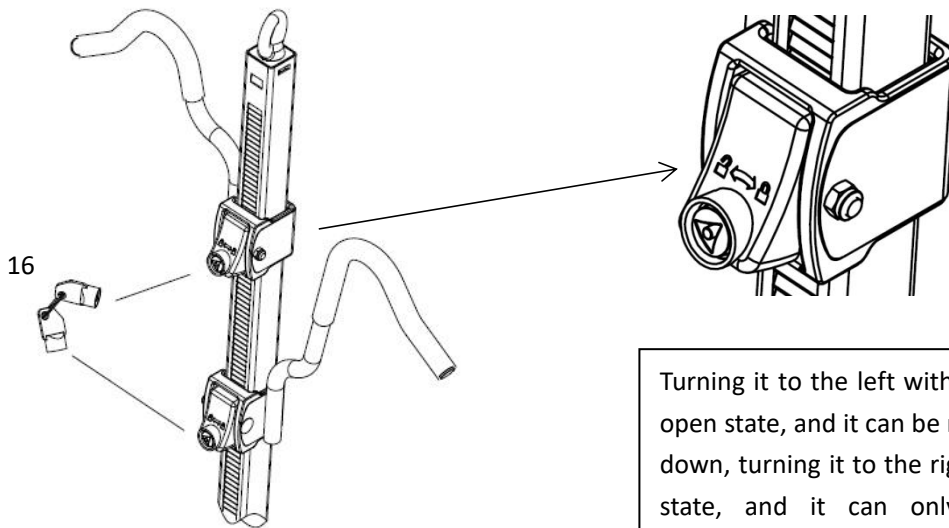
Please note the cradles and J-hooks are completely adjustable and can slide on the arms

Step 1



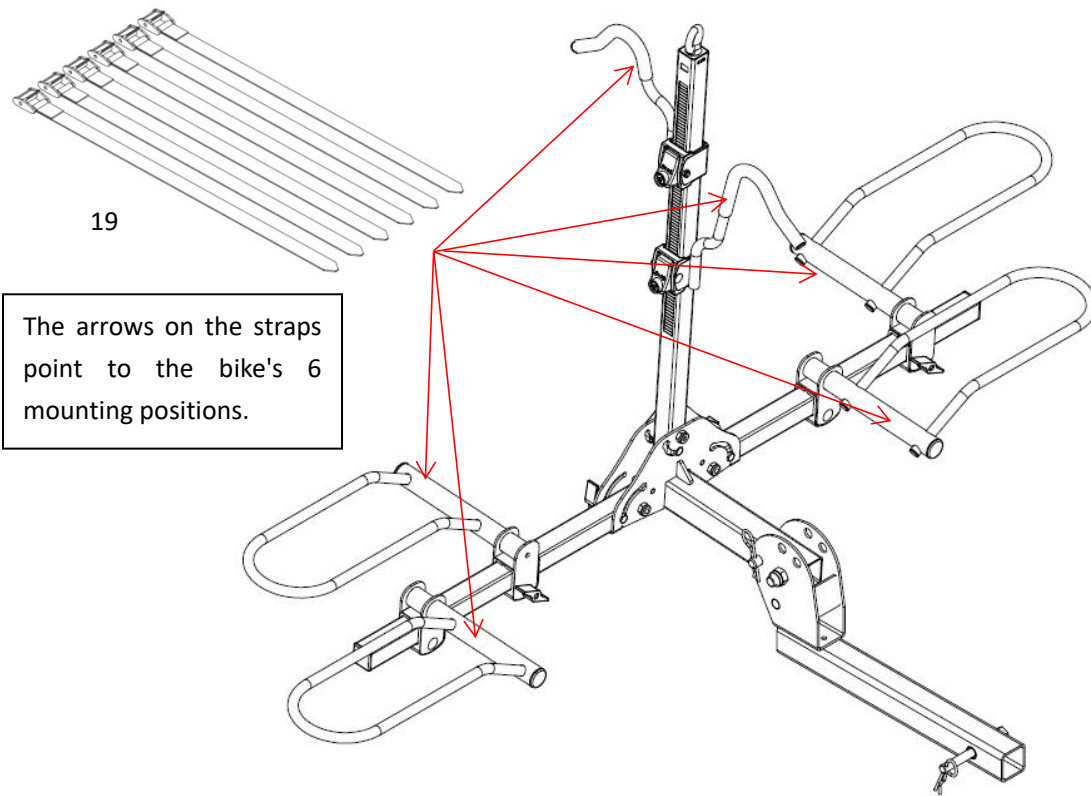
Adjust the distance according to the bicycle tires to center the bicycle.

Step 2



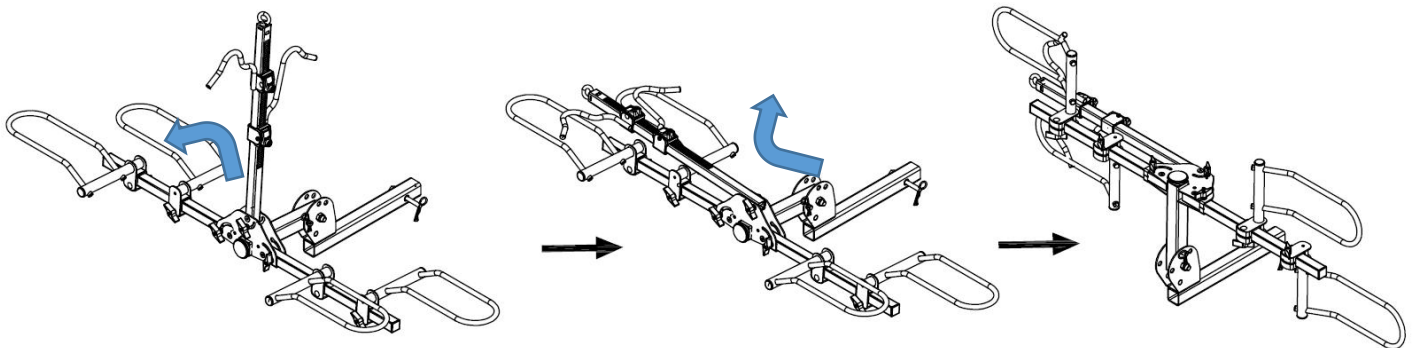
Turning it to the left with the key is an open state, and it can be moved up and down, turning it to the right is a locked state, and it can only be moved downward, not upward.

Step 3



Folding Status

Folding method



Storage method folded

