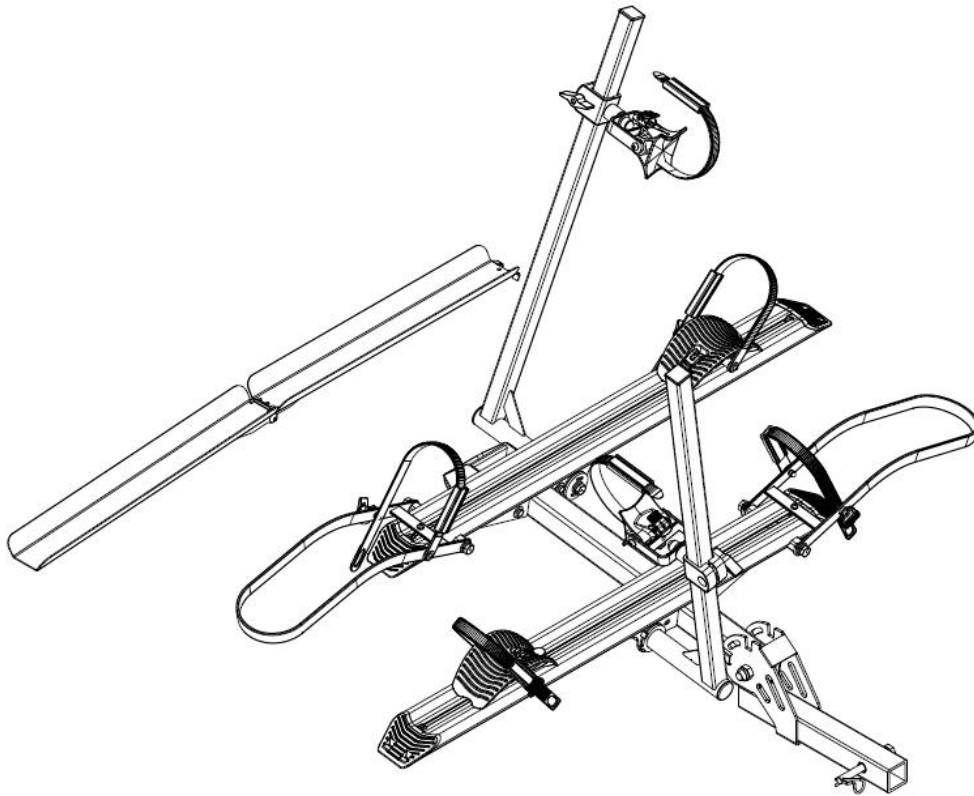




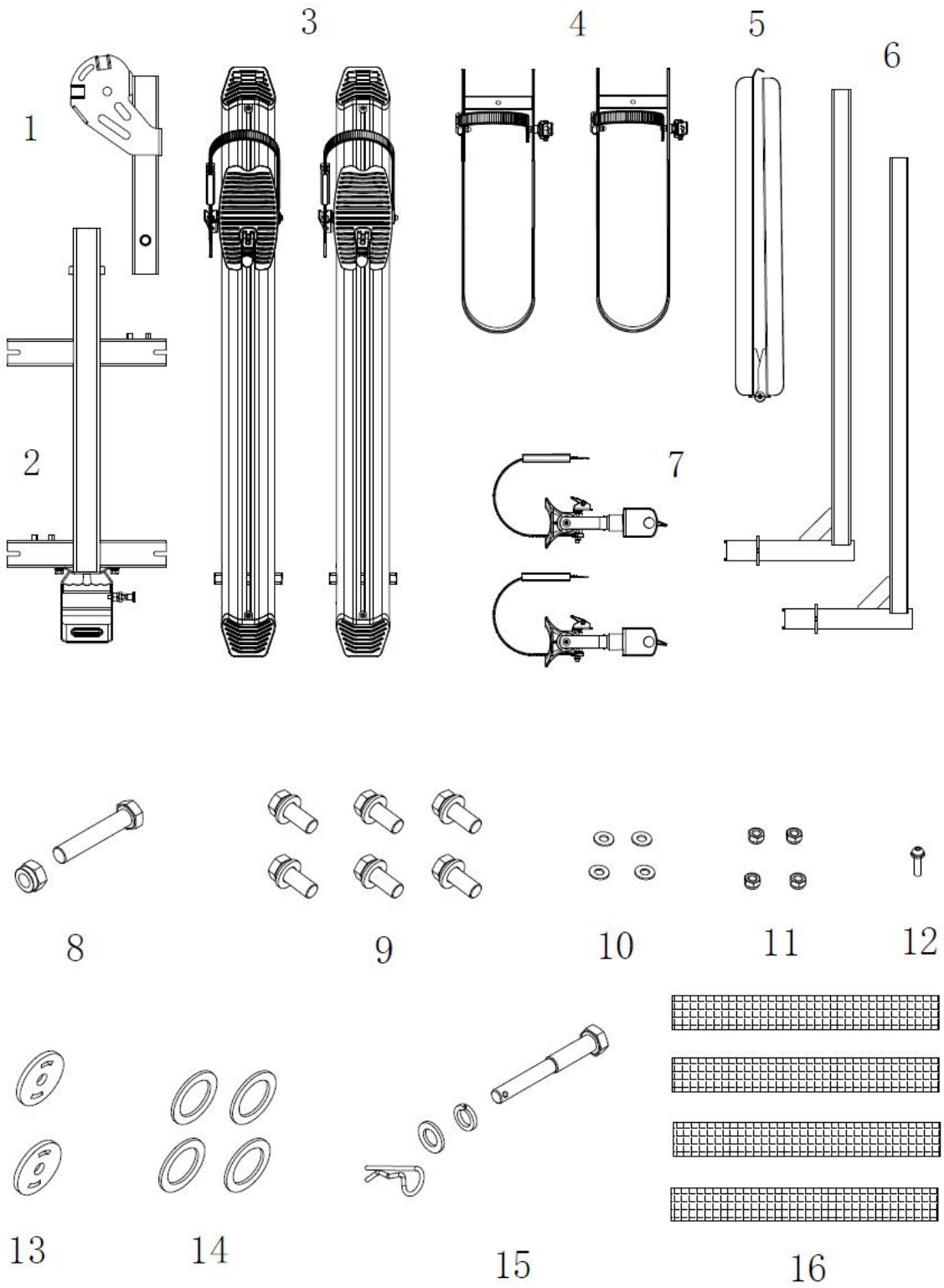
**200LBS.EZ-FOLD ALUMINUM
2-EBIKE CARRIER WITH RAMP
SKU:10104155**



Technical Specifications

Property	Specification
Length	57.5"
Width	44.6"
Height	43.5"
Maximum Weight Capacity	200LBS*

Parts List



Recommended Tools for Assembly (Not Included)



Monkey Wrench (1pc)
Size=300mm



Open Wrench (1pc)
Size=13mm



Open Wrench (1pc)
Size=19mm



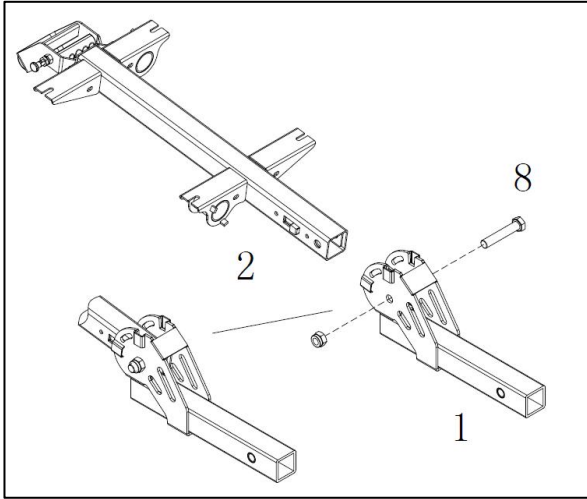
Open Wrench (1pc)
Size=24mm



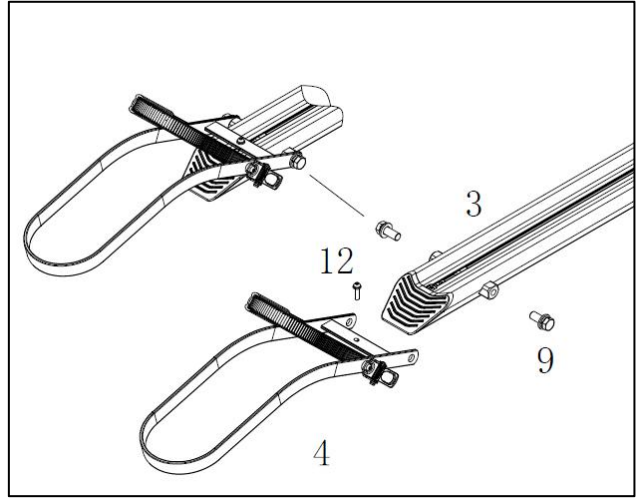
4mm Allen Wrench

Assembly Instructions

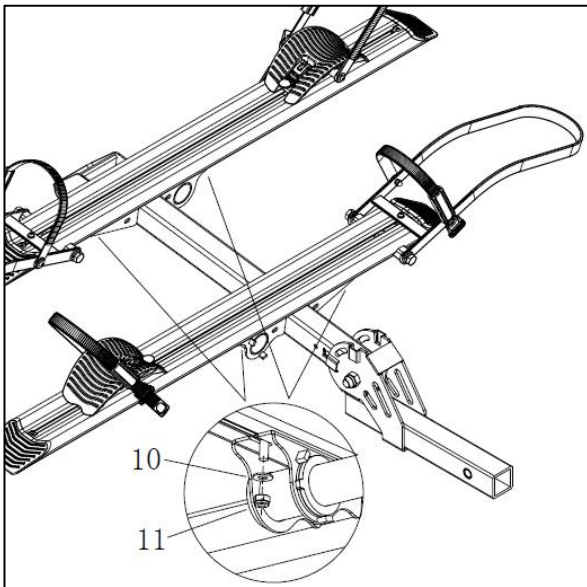
Step 1:



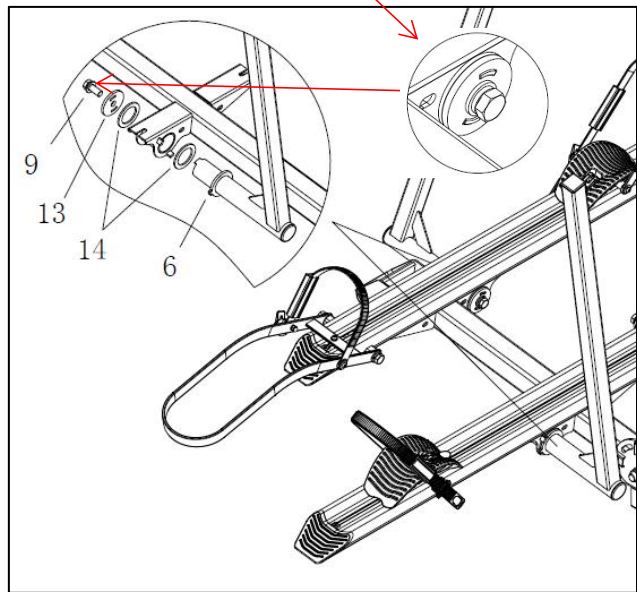
STEP2:



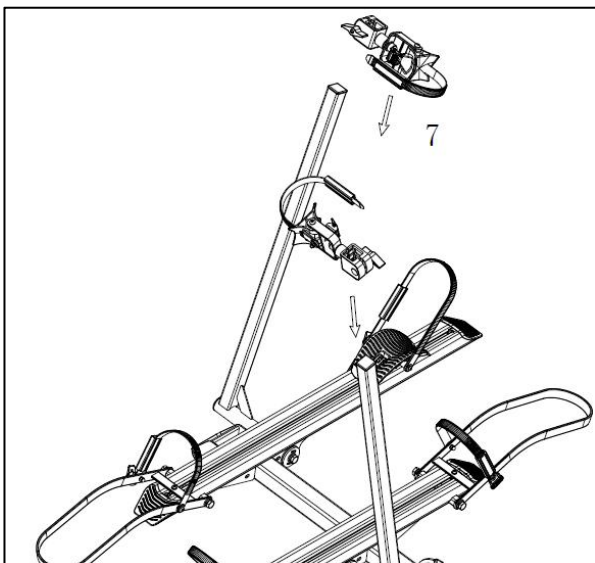
Step 3:



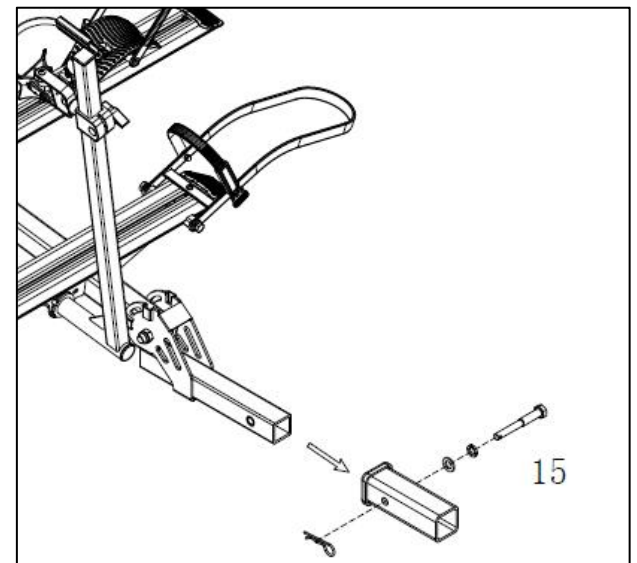
STEP4:



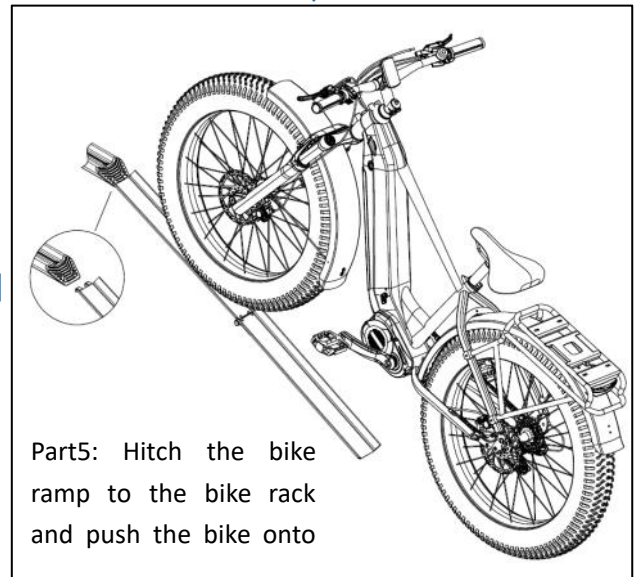
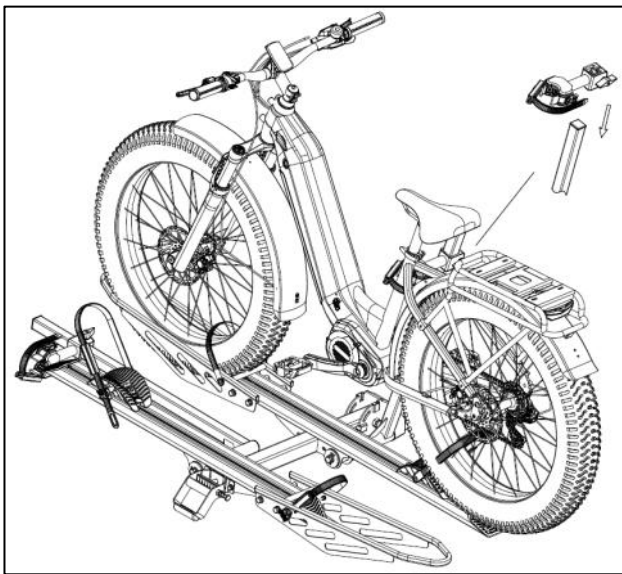
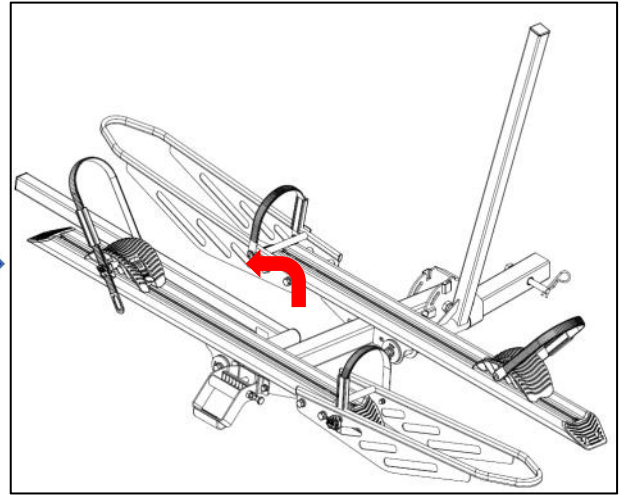
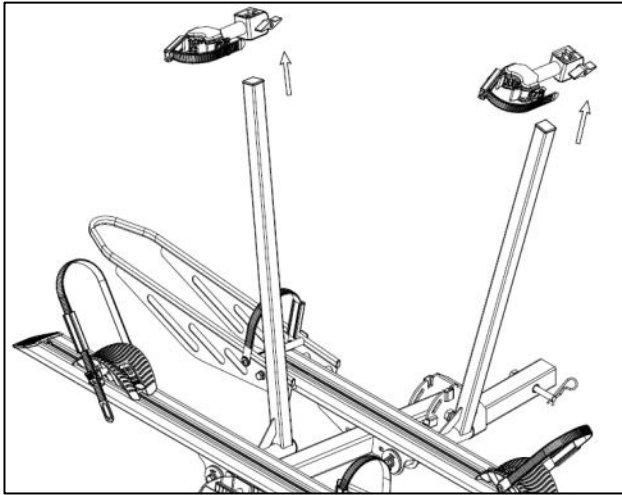
Step 5:



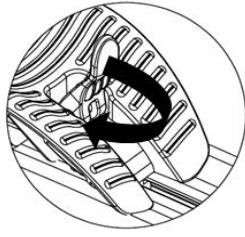
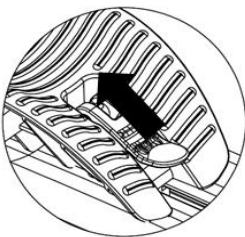
STEP6:



Bike Installation Instructions (Second one, same step.)



2A. How to secure the wheel cradle.

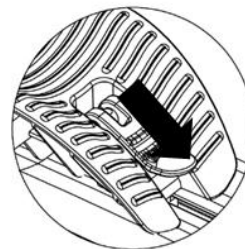
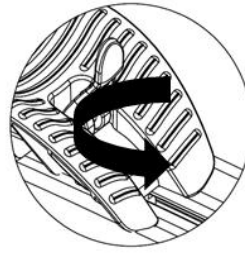
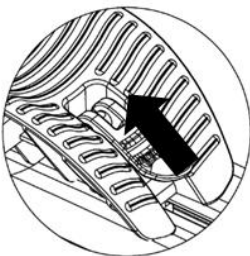


Pull the cam gear

Turn it clockwise

Press it down

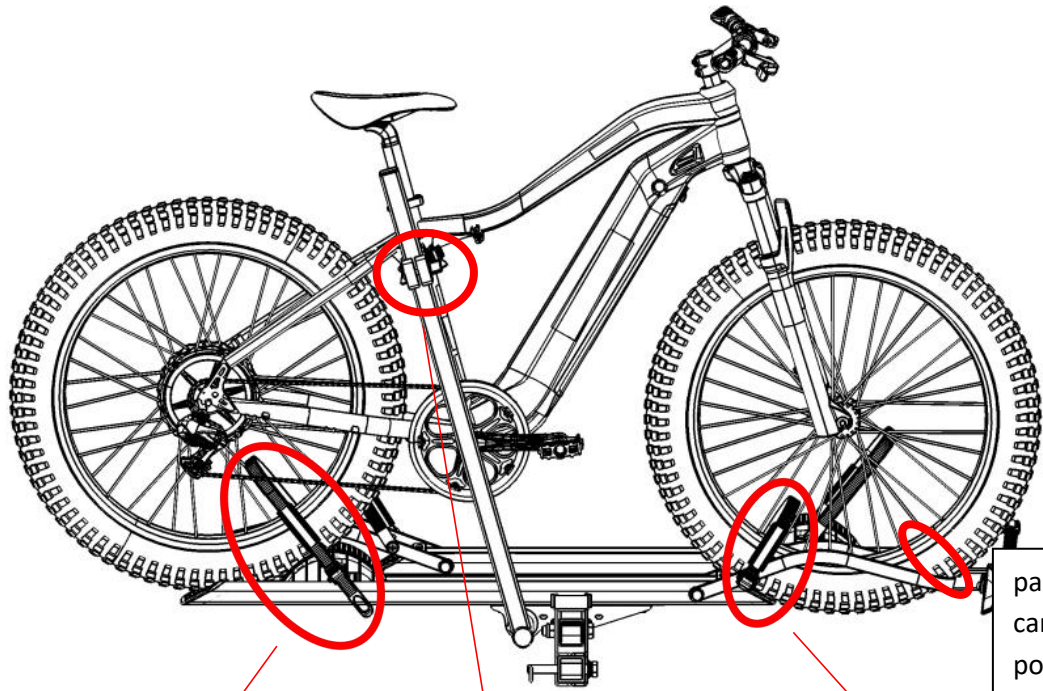
2B. How to release the wheel cradle.



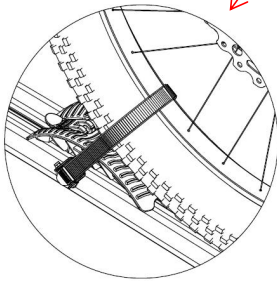
Pull the cam gear

Turn it
Counterclockwise

Press it down



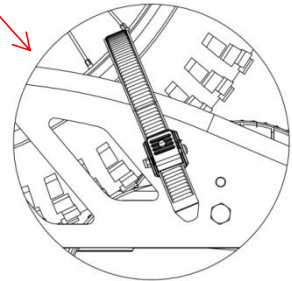
part16: adhesive tape carries the way position



Note: The rear tire fixing seat needs to be placed in front of the rear wheel.



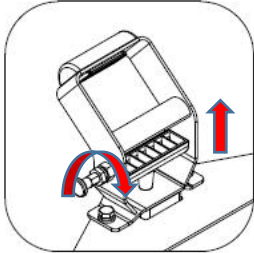
Note: Tighten the straps from the Adjustable Block.



Note: Tighten the straps from the Front Wheel Holder.

Folding Status

The part6 adjustable support assembly needs to be placed on the bottom of the aluminum cross member and secured with part15 adhesive tape.



Note: Before pulling the handle to fold it needs to be pull out the limit pin on the side and rotate it 90°.

