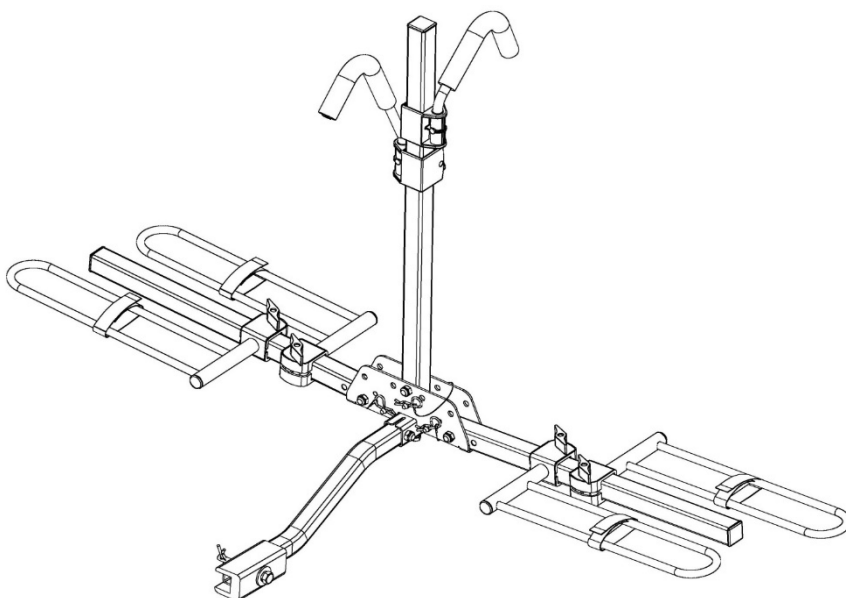




Platform 2-Bike Carrier Owner's Manual & Safety Instructions

Model: 10104071



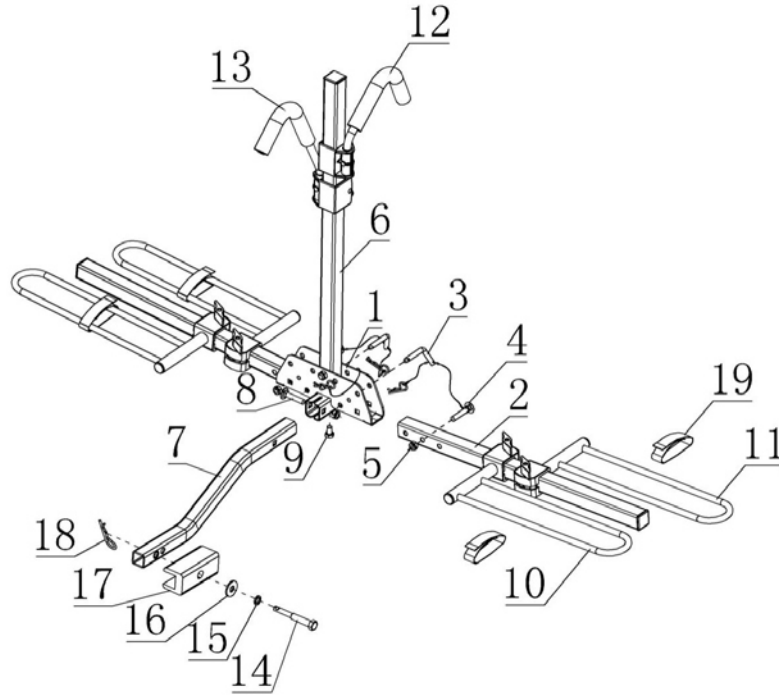
SAVE THESE INSTRUCTIONS

⚠ WARNING ⚠

To prevent serious injury or death INSPECT for any signs of wear, corrosion and fatigue BEFORE each use. DO NOT use if bent or deformed.

Maximum load weight is 80 lbs. DO NOT exceed load weight rating or the vehicle hitch manufacturer's tongue weight rating. Pin must be properly secured by pin clip before transit.

EXPLODED VIEW



PARTS LIST

| Item # | Description | QTY | Item # | Description | QTY |
|--------|----------------------|-----|--------|-----------------------------------|-----|
| 1 | Support plate | 1 | 11 | Left tire holder | 2 |
| 2 | Support tube | 2 | 12 | Short adjusting hook | 1 |
| 3 | 9.5 pin assembly | 3 | 13 | Long adjusting hook | 1 |
| 4 | M10x55 carriage bolt | 3 | 14 | 1/2"-13 hexagonal studs with hole | 1 |
| 5 | M10 locknut | 4 | 15 | 1/2" spring washer | 1 |
| 6 | Adjustable tube | 1 | 16 | 1/2" flat washer | 1 |
| 7 | Support bracket | 1 | 17 | 2" adapter | 1 |
| 8 | M10x50 carriage bolt | 1 | 18 | 3.8 pin clip | 1 |
| 9 | M10x16 hexagon bolt | 1 | 19 | Buckle tape | 4 |
| 10 | Right tire holder | 2 | | | |

Recommended Tools for Assembly (Not Included)



Open Wrench
Size=17mm

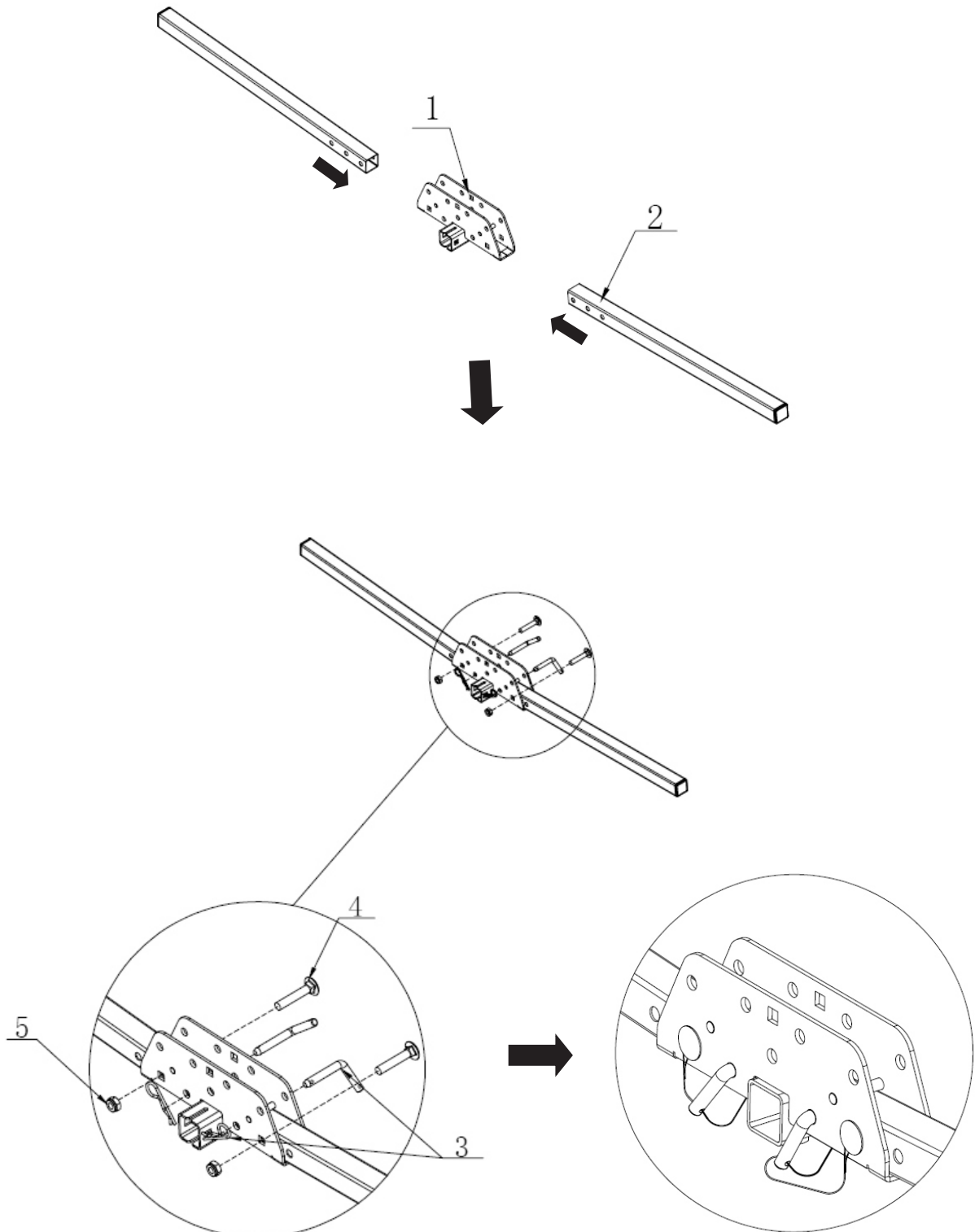


Open Wrench
Size=19mm

ASSEMBLY INSTRUCTIONS

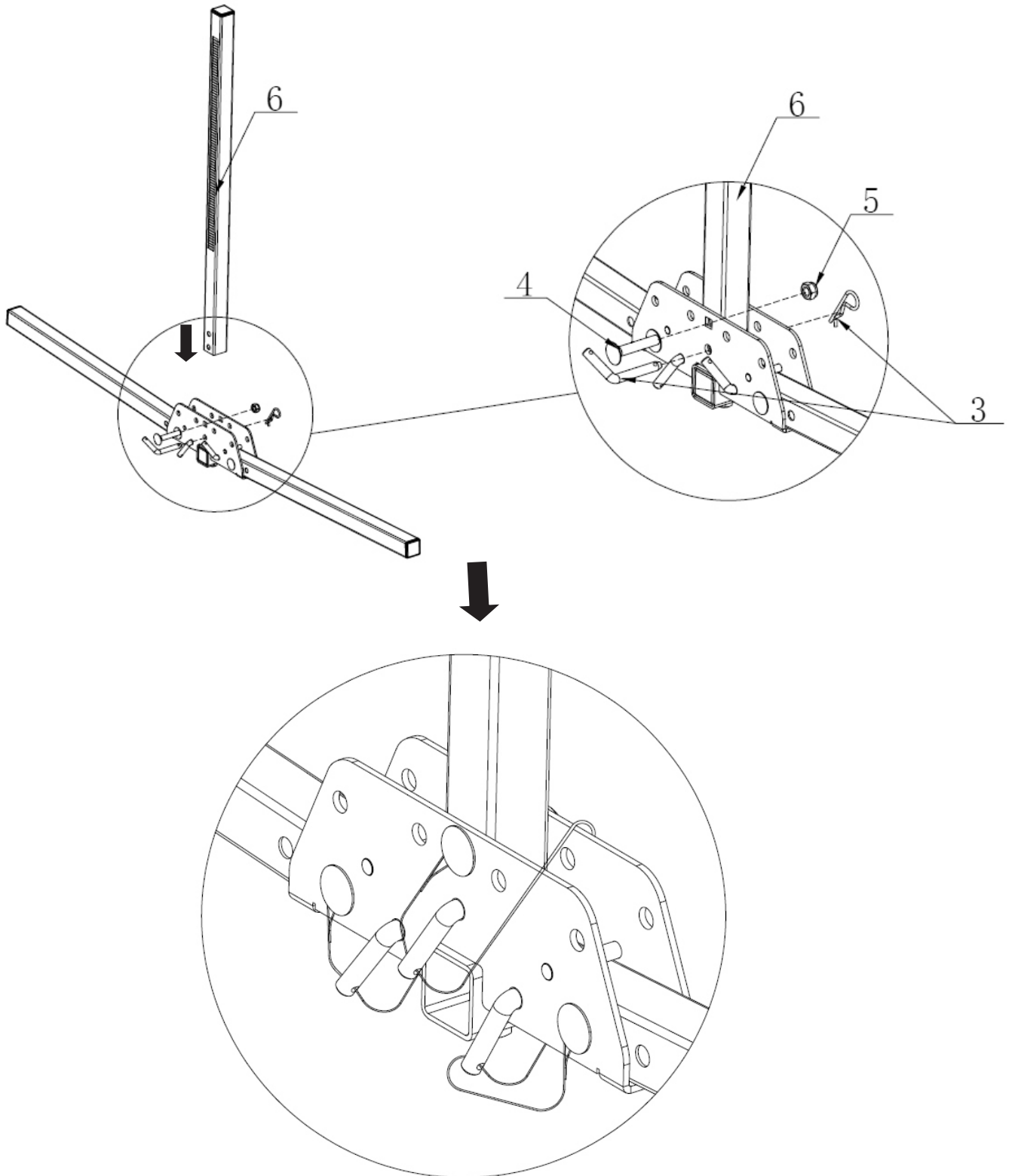
STEP 1

Insert the support tubes (2) into the support plate (1). Secure with 9.5 pin assembly (3), M10x55 carriage bolts (4) and M10 locknuts (5). Tighten bolts and nuts with a wrench (not included).



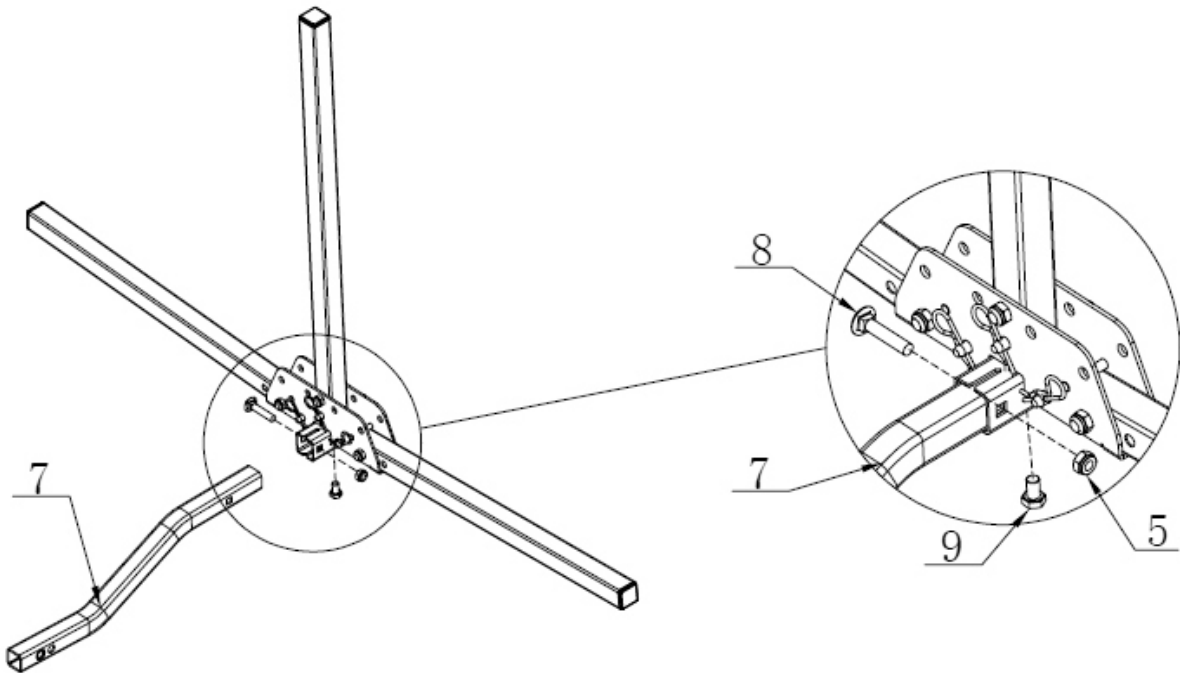
STEP 2

Insert the adjustable tube (6) into the support plate (1). Secure with 9.5 pin assembly (3), M10x55 carriage bolts (4) and M10 locknuts (5). Tighten bolts and nuts with a wrench (not included).



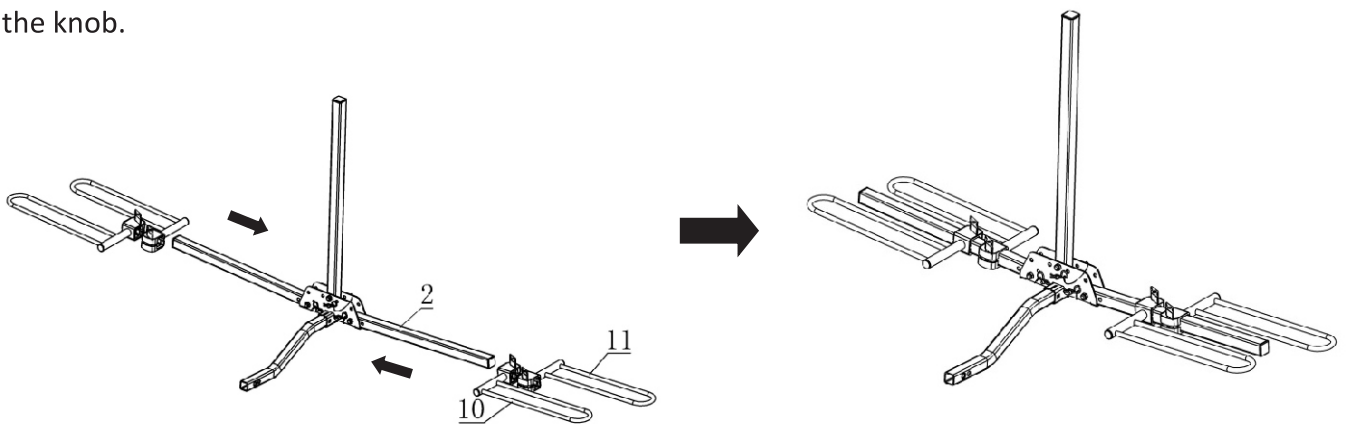
STEP 3

Insert the support bracket (7) into the support plate (1). Secure with M10x50 carriage bolt (8), M10 locknut (5) and M10x16 hexagon bolt (9) as shown below. Tighten bolts and nuts with a wrench (not included).



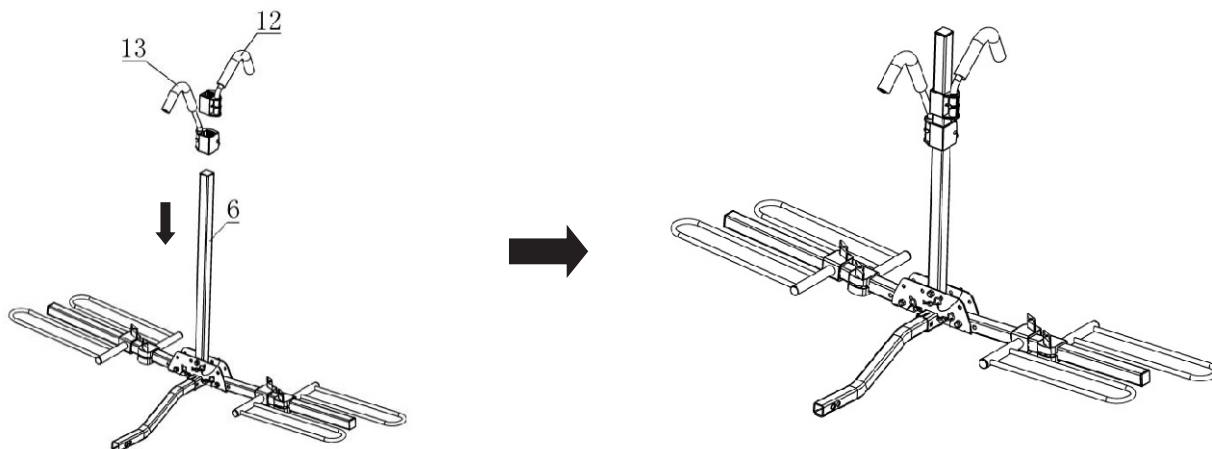
STEP 4

Insert the right tire holder (10) and left tire holder (11) into the support tubes (2) and tighten the knob.



STEP 5

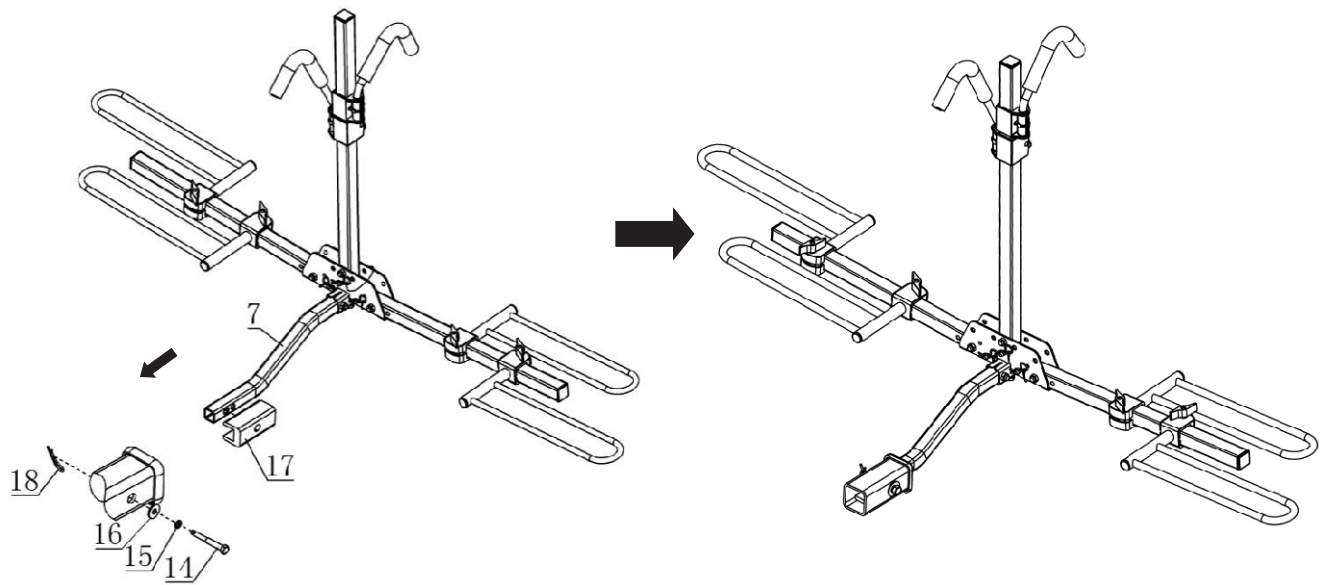
Insert the long adjusting hook (13) and the short adjusting hook (12) into the adjustable tube (6).



STEP 6

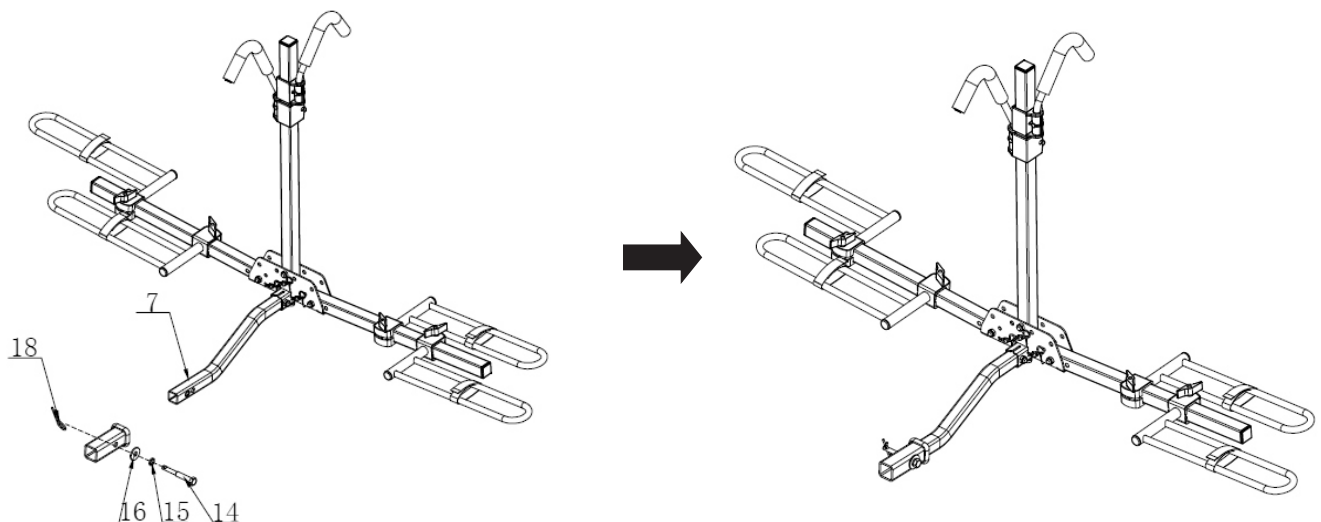
For Vehicles with 2" Receivers

Assemble the 2" adapter (17) onto the support bracket (7), and then insert the product into the vehicle receiver. After the carrier has been inserted into the vehicle receiver, secure it in place by inserting the 1/2"-13 hexagonal studs with hole (14) through the 1/2" spring washer (15), 1/2" flat washer (16) and 2" adapter (17). Use the 3.8 pin clip (18) to fix.



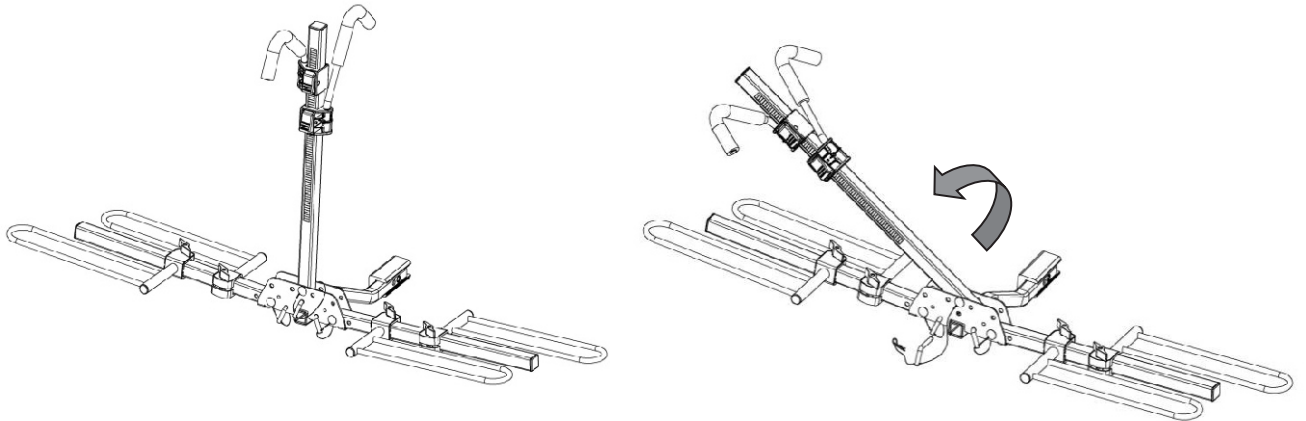
For Vehicles with 1.25" Receivers

Insert the product into the vehicle receiver. After the carrier has been inserted into the vehicle receiver, secure it in place by inserting the 1/2"-13 hexagonal studs with hole (14) through the 1/2" spring washer (15) and 1/2" flat washer (16). Use the 3.8 pin clip (18) to fix.

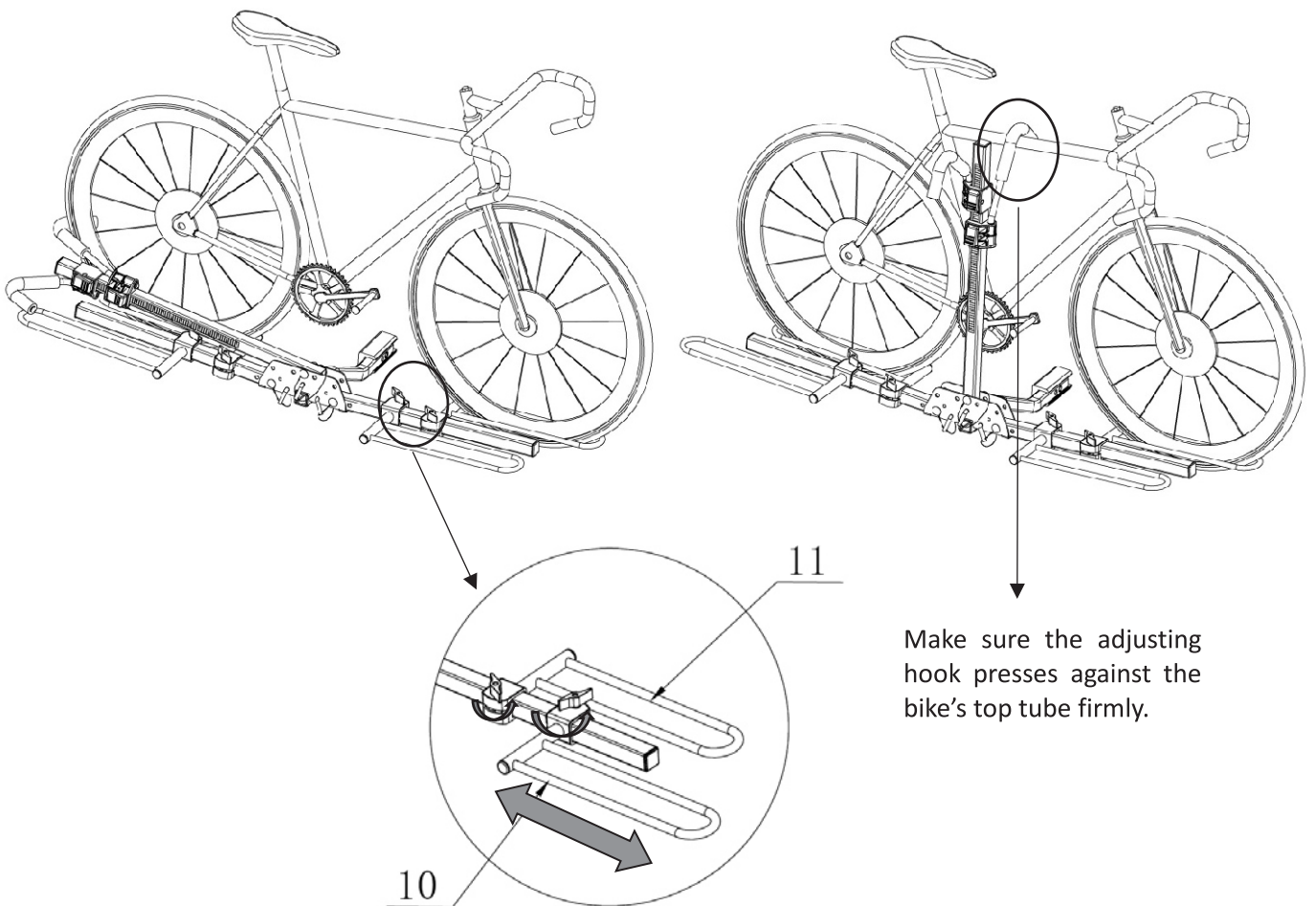


BICYCLE PLACEMENT INSTRUCTIONS

STEP 1. Bring down the adjustable tube.

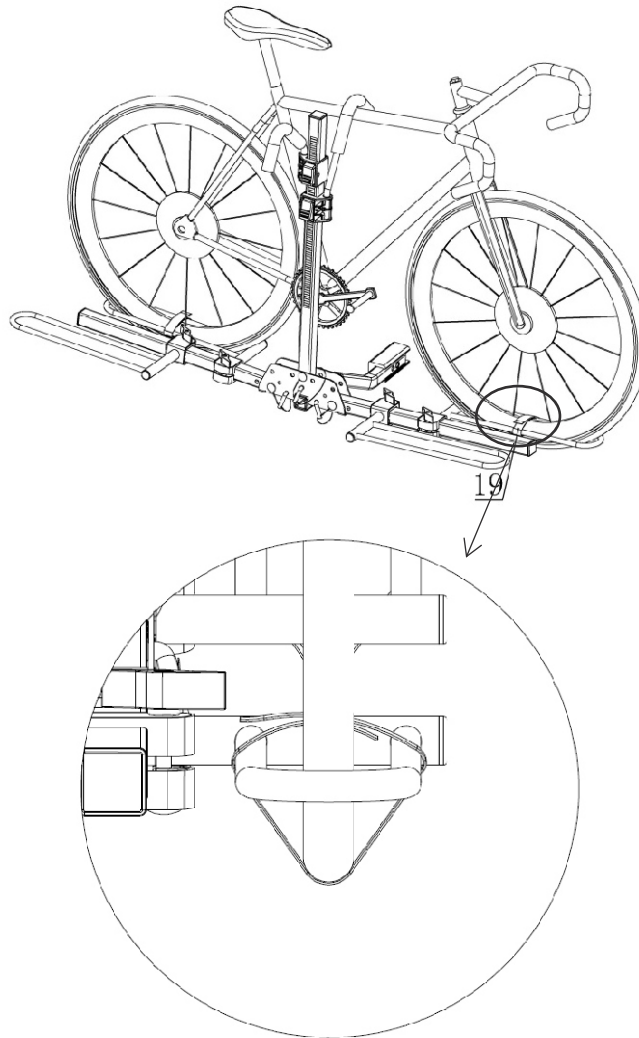


STEP 2. Put the bicycle into the tire holders. Loosen the knobs of the right tire holder (10) or left tire holder (11) and adjust them according to the wheel size of the bicycle, ensuring the tire holders grip the bicycle tires snugly. (See illustration below). Re-tighten the knobs once the tire holders are set to their desired position. Then raise the adjustable tube and secure the bicycle with the adjusting hook.

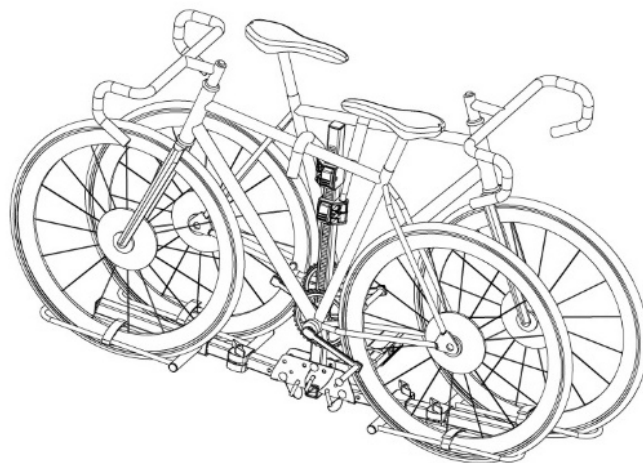


Make sure the adjusting hook presses against the bike's top tube firmly.

STEP 3. Secure the wheels with the buckle tape (19) according to the diagram below.

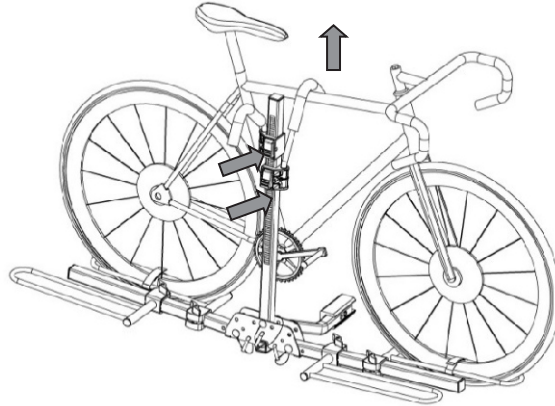


STEP 4. If installing a second bicycle, repeat Steps 1-3. Ensure the bicycle faces the opposite direction from the first bike.



BICYCLE REMOVAL INSTRUCTIONS

Remove the buckle tape from the wheels. Then press the tooth clips on the adjustable hook to move the adjusting hook upward, and then remove the bicycle(s).



FOLDING THE CARRIER INSTRUCTIONS

Pull out the 9.5 pin assembly, rotate the support tube to the vertical states, and then insert the 9.5 pin assembly into the corresponding holes.

